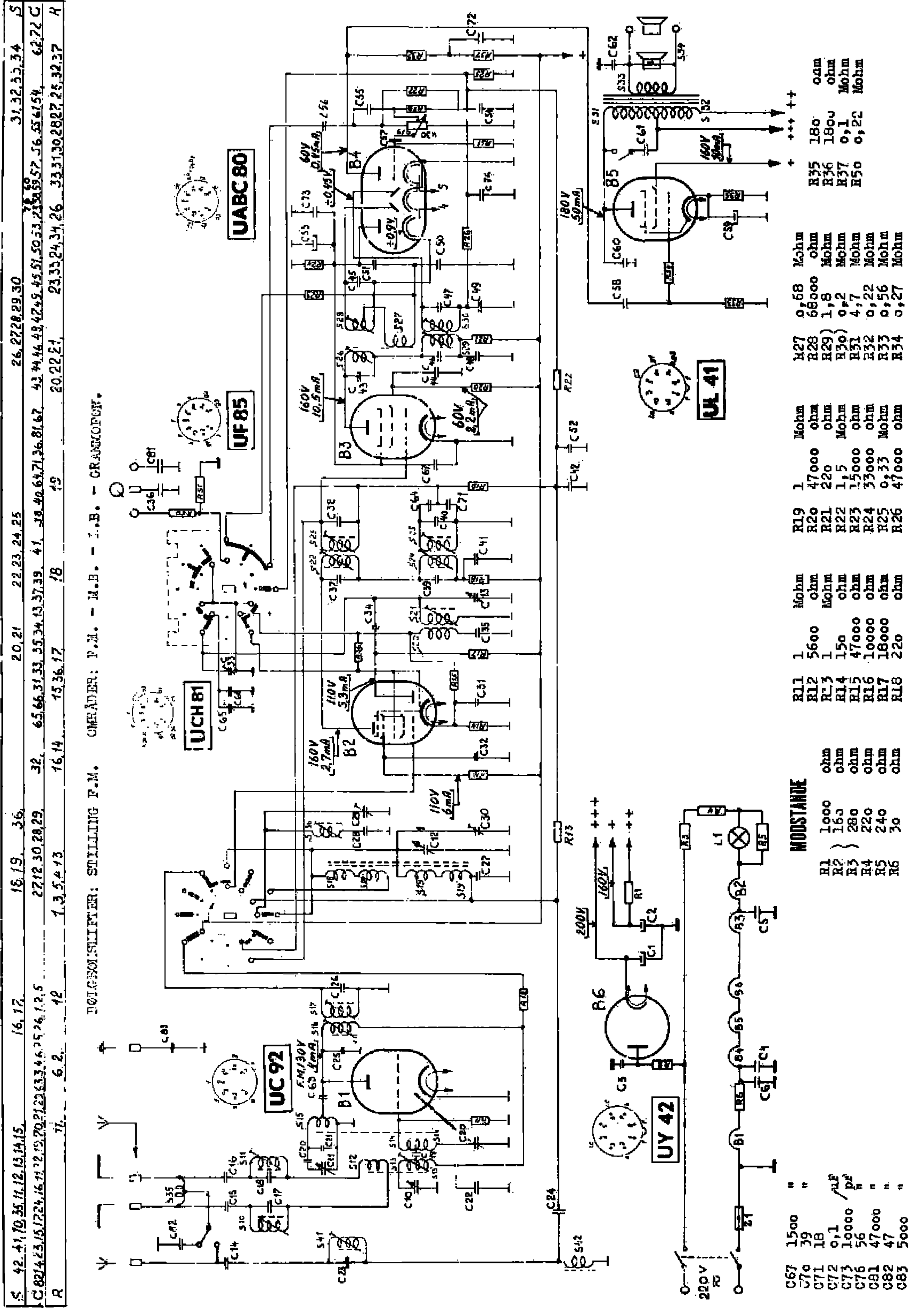


KONDENSATORER

C1	50	μF
C2	50	μF
C3	22000	μF
C4	10000	μF
C5	1500	μF
C6	10000	μF
C7	10	μF
C8	12	μF
C9	12	μF
C10	470	μF
C11	160	μF
C12	5000	μF
C13	47	μF
C14	47	μF
C15	47	μF
C16	47	μF
C17	220	μF
C18	30	μF
C19	6,8	μF
C20	1000	μF
C21	1000	μF
C22	400	μF
C23	18	μF
C24	15	μF
C25	3000	μF
C26	56	μF
C27	100	μF
C28	20	μF
C29	10000	μF
C30	10000	μF
C31	20	μF
C32	470	μF
C33	100	μF
C34	5000	μF
C35	15	μF
C36	15	μF
C37	110	μF
C38	110	μF
C39	1500	μF
C40	47000	μF
C41	5,6	μF
C42	10000	μF
C43	39	μF
C44	110	μF
C45	110	μF
C46	110	μF
C47	110	μF
C48	56	μF
C49	330	μF
C50	330	μF
C51	1500	μF
C52	5	μF
C53	5000	μF
C54	33	μF
C55	27000	μF
C56	5000	μF
C57	15000	μF
C58	100	μF
C59	10000	μF
C60	25000	μF
C61	5000	μF
C62	8,2	μF
C63	22	μF
C64	50	μF
C65	300	μF
C66	300	μF



DELIGNON-SLITZER: STILLING F.M. OMRÅDER: F.M. - M.B. - I.B. - GRAMMOPHON.

S	42, 41, 10, 35, 11, 12, 13, 14, 15, 16, 17, 18, 19, 20, 21, 22, 23, 24, 25, 26, 27, 28, 29, 30, 31, 32, 33, 34, 35, 36, 37, 38, 39, 40, 41, 42, 43, 44, 45, 46, 47, 48, 49, 50, 51, 52, 53, 54, 55, 56, 57, 58, 59, 60, 61, 62, 63, 64, 65, 66, 67, 68, 69, 70, 71, 72, 73, 74, 75, 76, 77, 78, 79, 80, 81, 82, 83, 84, 85, 86, 87, 88, 89, 90, 91, 92, 93, 94, 95, 96, 97, 98, 99, 100	31, 32, 33, 34, 35
C	82, 83, 84, 85, 86, 87, 88, 89, 90, 91, 92, 93, 94, 95, 96, 97, 98, 99, 100	56, 57, 58, 59, 60, 61, 62, 63, 64, 65, 66, 67, 68, 69, 70, 71, 72, 73, 74, 75, 76, 77, 78, 79, 80, 81, 82, 83, 84, 85, 86, 87, 88, 89, 90, 91, 92, 93, 94, 95, 96, 97, 98, 99, 100
R	1, 2, 3, 4, 5, 6, 7, 8, 9, 10, 11, 12, 13, 14, 15, 16, 17, 18, 19, 20, 21, 22, 23, 24, 25, 26, 27, 28, 29, 30, 31, 32, 33, 34, 35, 36, 37, 38, 39, 40, 41, 42, 43, 44, 45, 46, 47, 48, 49, 50, 51, 52, 53, 54, 55, 56, 57, 58, 59, 60, 61, 62, 63, 64, 65, 66, 67, 68, 69, 70, 71, 72, 73, 74, 75, 76, 77, 78, 79, 80, 81, 82, 83, 84, 85, 86, 87, 88, 89, 90, 91, 92, 93, 94, 95, 96, 97, 98, 99, 100	23, 24, 25, 26, 27, 28, 29, 30, 31, 32, 33, 34, 35, 36, 37, 38, 39, 40, 41, 42, 43, 44, 45, 46, 47, 48, 49, 50, 51, 52, 53, 54, 55, 56, 57, 58, 59, 60, 61, 62, 63, 64, 65, 66, 67, 68, 69, 70, 71, 72, 73, 74, 75, 76, 77, 78, 79, 80, 81, 82, 83, 84, 85, 86, 87, 88, 89, 90, 91, 92, 93, 94, 95, 96, 97, 98, 99, 100

MODSTÄNDE

R1	1000	ohm
R2	160	ohm
R3	280	ohm
R4	220	ohm
R5	240	ohm
R6	30	ohm
R7	1500	"
R8	39	"
R9	18	"
R10	0,1	μF
R11	10000	μF
R12	56	"
R13	47000	"
R14	47	"
R15	5000	"
R16	15000	"
R17	100	μF
R18	180	ohm
R19	68000	ohm
R20	1,8	Mohm
R21	0,2	Mohm
R22	0,7	Mohm
R23	4,7	Mohm
R24	0,22	Mohm
R25	0,56	Mohm
R26	0,27	Mohm
R27	0,68	Mohm
R28	68000	ohm
R29	1,8	Mohm
R30	0,2	Mohm
R31	4,7	Mohm
R32	0,22	Mohm
R33	0,56	Mohm
R34	0,27	Mohm
R35	180	ohm
R36	1800	ohm
R37	0,1	Mohm
R38	0,22	Mohm
R39	0,56	Mohm
R40	0,27	Mohm

SPOLER

S10 } FM. MF. spærrekreds	WE 120 35
C17 }	
S11 }	
C18 }	
S12 } FM. antennespole	WE 110 79
S13 }	
S13a }	
C13 }	
S14 } FM. osc. spole	WE 110 80
S14a }	
S15 }	
S15a }	
S16 } FM. 1' MF. spole	WE 120 44
S17 }	
C26 }	
S18 } Ferrocepterant.	DK 80 216
S18a }	
S19 }	
S19a }	
S20 } MB + LB osc. spole	WE 120 39
S21 }	
S22 } FM. 2' MF. spole	WE 120 43
C37 }	
S23 }	
C38 }	
S24 } 1' MF. spole	A3 124 41
C39 }	
S25 }	
C40 }	
S26 } FM. detektorspole	WE 120 42
S27 }	
S28 }	
S28a }	
C45 }	
C43 }	
S29 } 2' MF. spole	A3 124 41
C46 }	
S30 }	
C47 }	
S31 } Udg. transformer	DK 83 082
S32 }	
S33 }	
S35 } HF. drossel	WE 110 61
S35a }	
S36 } LB. spejlsugekreds + }	WE 120 40
S41 } Am. MF. spærrekreds + }	
S42 } AM. HF. drossel	

MODSTANDE

R1	1000	ohm	WN 500 13
R2 }	160	ohm	
R3 }	280	ohm	WE 346 20
R4	220	ohm	49 379 62
R5	240	ohm	49 379 67
R6	30	ohm	WN 500 08
R11	1	Mohm	48 550 10/1M
R12	5600	ohm	DK 61 210/5K6
R13	1	Mohm	DK 61 210/1M
R14	150	ohm	DK 61 210/150E
R15	47000	ohm	DK 61 210/47K
R16	10000	ohm	DK 61 210/10K
R17	18000	ohm	DK 61 410/18K
R18	220	ohm	DK 61 210/220E
R19	1	Mohm	DK 61 210/1M
R20	47000	ohm	DK 61 410/47K
R21	220	ohm	DK 61 210/220E
R22	1,5	Mohm	DK 61 210/1M5
R23	15000	ohm	DK 61 210/15K
R24	33000	ohm	DK 61 205/33K
R25	0,33	Mohm	DK 61 210/330K
R26	47000	ohm	DK 61 210/47K
R27	0,68	Mohm	DK 61 210/680K
R28	68000	ohm	DK 61 210/68K
R29 }	1,8	Mohm	
R30 }	0,2	Mohm	DK 66 048
R31	4,7	Mohm	DK 61 210/4M7
R32	0,22	Mohm	48 557 10/220K
R33	0,56	Mohm	DK 61 210/560K
R34	0,27	Mohm	DK 61 210/270K
R35	180	ohm	DK 61 410/180E
R36	1800	ohm	DK 61 210/18K
R37	0,1	Mohm	DK 61 210/100K
R50	0,22	Mohm	DK 61 210/220K
R51	0,22	Mohm	DK 61 210/220K

KONDENSATORER

C1 }	50	μ F	48 317 57/50+50
C2 }	50	"	
C3	22000	pF	48 752 20/22K
C4	10000	"	48 207 50/10K
C5	1500	"	WN 400 55
C6	10000	"	48 207 50/10K
C10 }	12	"	max.
C11 }	12	"	
C12 }	470	"	4V 403 82
C13 }	160	"	
C14	5000	"	DK 78 420/5K
C15	47	"	48 223 10/47E
C16	47	"	48 223 10/47E
C17	47	"	
C18	47	"	
C19	220	"	
C20	30	"	28 212 36
C21	6,8	"	WN 400 61
C22	1000	"	WN 400 36
C23	1000	"	WN 400 27
C24	400	"	WN 400 38
C25	18	"	48 202 05/18E
C26	15	"	
C27	3000	"	WN 400 26
C28	56	"	WN 400 56
C29	100	"	49 005 51
C30	20	"	49 005 59
C31	10000	"	WN 400 23
C32	10000	"	WN 400 23
C33	20	"	49 005 59
C34	470	"	48 203 10/470E
C35	100	"	48 203 10/100E
C36	5000	"	DK 78 420/5K
C37	15	"	
C38	15	"	
C39	110	"	
C40	110	"	
C41	1500	"	WN 400 55
C42	47000	"	48 750 20/47K
C43	5,6	"	
C44	10000	"	48 207 50/10K
C45	39	"	
C46	110	"	
C47	110	"	
C48	10000	"	48 207 50/10K
C49	56	"	48 203 10/56E
C50	330	"	48 203 10/330E
C51	330	"	48 203 10/330E
C52	15000	"	48 207 50/1K5
C53	5	μ F	AG 5509/4
C54	5000	pF	WN 400 57
C55	33	"	48 203 10/33E
C56	27000	"	48 750 20/27K
C57	5000	"	WN 400 57
C58	15000	"	48 751 10/15K
C59	100	μ F	48 313 72/100
C60	10000	pF	48 752 20/10K
C61	25000	"	WN 400 58
C62	5000	"	DK 78 420/5K
C63	8,2	"	
C64	22	"	48 201 10/22E
C65	50	"	49 005 50
C66	300	"	WN 400 33
C67	1500	"	48 207 50/1K5
C70	39	"	WN 400 60
C71	18	"	48 201 10/18E
C72	0,1	"	WN 400 59
C73	10000	"	48 207 50/10K
C76	56	"	48 203 10/56E
C81	47000	"	48 757 20/47K
C82	47	"	48 223 20/47E
C83	5000	"	DK 78 420/5K

MEKANISKE RESERVEDELE.

Rørfatning (B2; B3; B4)	WE 395 34
Rørfatning (B5; B6)	B1 506 53
Rørfatning (B1)	WE 395 36
Gummitulle f. rørfatning	A3 642 19
Snorehjul f. skalatræk	A3 680 02
Bøjle	A3 704 87
Arretering f. omskifter	WE 332 44
Bladfjeder f. omskifter	A3 648 79
Omskiftersegm. 1	WE 198 10
Omskiftersegm. 2	WE 198 11
Skalalampeholder	A3 359 15
Plade m. FM ant. bøsninger	DK 52 439
Plade m. p-u/ønt. bøsning.	DK 52 404
Sikringsholder	DK 52 454
Afbryder f. toneknips	WE 186 01
Afskærmsvæg v. omsk.	WE 332 42
Afskærmsvæg f. rørfatning	A3 326 48
Isolationsplade f. do.	A3 516 63
Spoledåsefjeder	A3 652 58
Tromle på drejekds.	A3 327 12
Fjederring f. do.	A3 563 36
Fjeder f. skalatræk	A3 646 26
Bladfjeder på A.J. plade	A3 649 58
Afskærmsvæg v. potentm.	A3 407 05
Fjeder f. R2/R3	A3 644 53
Splitpen f. R2/R3	07 500 53
Unitstrip under chassis	A3 406 96
Unitstrip over chassis	A3 404 38
Netledning	DK 52 344
Kerne f. S13 og S15	WE 324 00

BDK 243 U

Kabinet	A3 738 02
Knap ydre	A3 736 26
Knap indre	P4 380 00/19
Filtring	A3 560 84
Skrue f. knap	A3 324 16
Skalaviser	A3 700 18
Filtring f. viser	A3 564 36
Skala	DK 43 338
Pynteskrue	A3 713 10
Bagklødning	DK 52 405
Emblem	23 654 14
Højttalergitter	DK 19.350

RA 402 U

Kabinet	A3 736 73
Knap ydre	A3 736 26
Knap indre	P4 380 00/19
Filtring	A3 560 84
Skrue f. knap	A3 324 16
Skalaviser	A3 699 69
Filtring f. viser	A3 564 36
Skala	DK 43 339
Pynteskrue	A3 713 10
Bagklødning	DK 52 406
Emblem	DK 28 071
Højttalergitter	A3.552.00

HDK 442 A

Kabinet	DK 39 623
Knap ydre	A3 736 26
Knap indre	P4 380 00/19
Filtring	A3 560 84
Skrue f. knap	A3 324 16
Skalaviser	A3 698 65
Filtring f. viser	A3 564 36
Skala	DK 43 340
Pynteskrue	A3 712 79
Bagklødning	DK 52 407
Emblem	23 654 14
Bundplade	DK 35 948